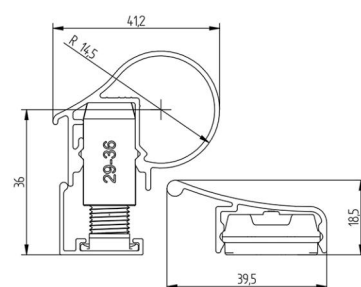
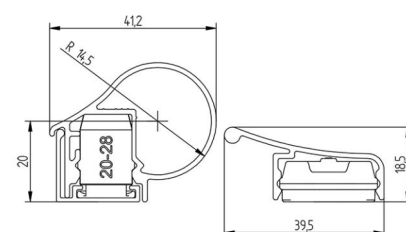
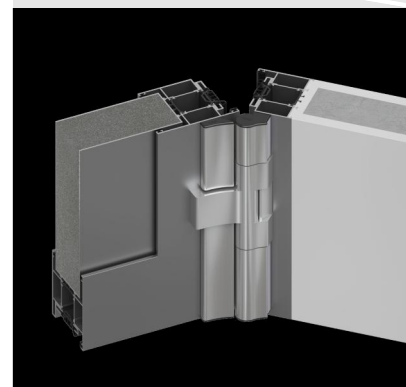
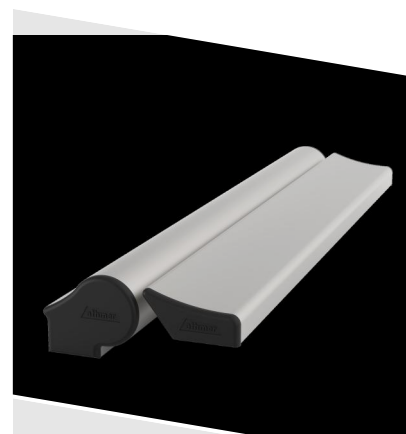


BA-28+

- / For surface-mounted hinges on metal doors
- / Variable adjustment options
- / Concealed screw fixing

TECHNICAL DATA

Application areas	secondary closing edge hinge side
Doorleaf material	metal
Frame material	alu
Doortype	flush profile door
Fire protection	yes
Min. delivery length	40 mm
Max. delivery length	2400 mm
Continuous function cycles	free of wear



BA-28+

