

Intumescent seals
& hardware protection

Essential components for fire doors

Our range of intumescent fire seals is suitable for use in a variety of **fire door applications**. Fire doors help protect lives and property by slowing the spread of fire throughout a building. Intumescent fire seals are a key component in fire doors, used to protect the gaps between the door and frame as well as encasing certain door hardware. Intumescent fire seals help resist fire by expanding during fire conditions to fill gaps and provide a degree of insulation.

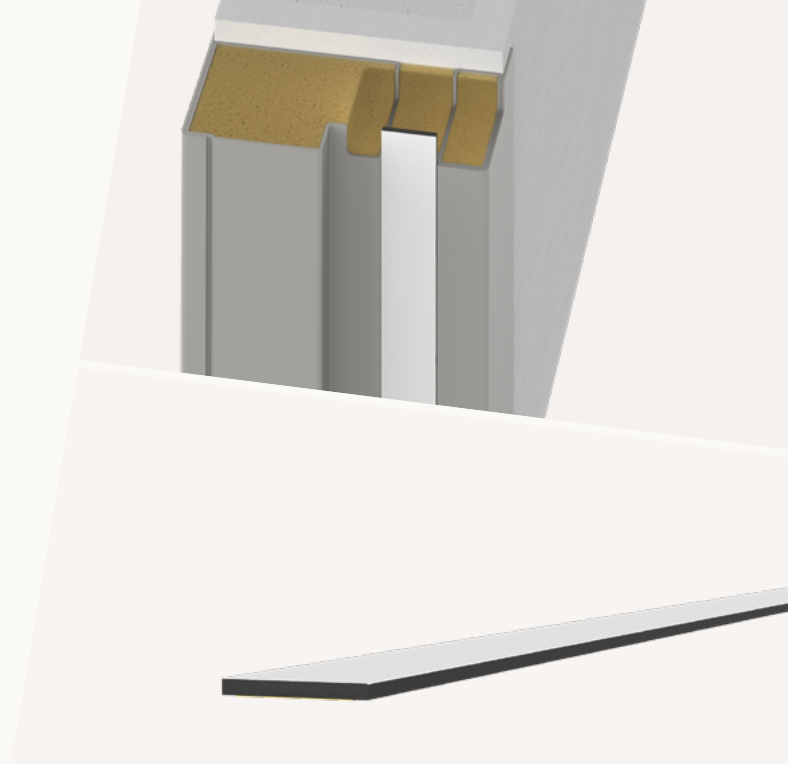
The range consists of several intumescent materials including graphite-based, silicate-based and phosphate-based solutions depending on your technical preference. As well as a choice of material, our products can be chosen with or without a protective PVC casing. Our encased intumescent fire seals can be supplied with integrated brushes and fins for additional **smoke and acoustic protection**. Thinner, more flexible intumescent options are available if required.



Intumescent seals
& hardware protection

F Series

- / flexible graphite fire seal
- / provides fire protection for doors
- / equipped with a durable self-adhesive backing tape
- / supplied in coil form

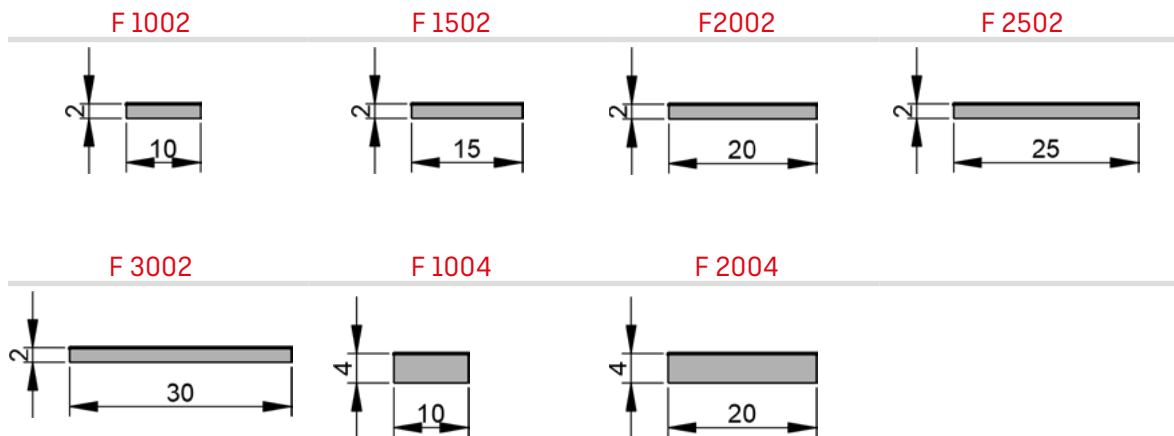


TECHNICAL DATA

Application	fire rated metal doors & frames
Material	graphite with thin PVC film

DIMENSIONS

Standard lengths	50 m coil
------------------	-----------



COLORS/ART.NO.	F 1002	F 1502	F 2002	F 2502	F 3002	F 1004	F 2004
Red	F160091	F160088	F160085	F160098	F160102	-	-
Black	F160116	F160117	F160118	F160119	F160120	-	-
Brown	F160092	F160089	F160086	F160099	F160103	-	-
White	F160093	F160090	F160087	F160100	F160104	-	-
Natural graphite grey	F160095	F160096	F160097	F160101	F160105	F160121	F160122

FB Series

- / rigid box graphite fire & smoke seal with brush
- / provides fire and smoke protection for doors
- / equipped with a durable self-adhesive backing tape
- / supplied in lengths



TECHNICAL DATA

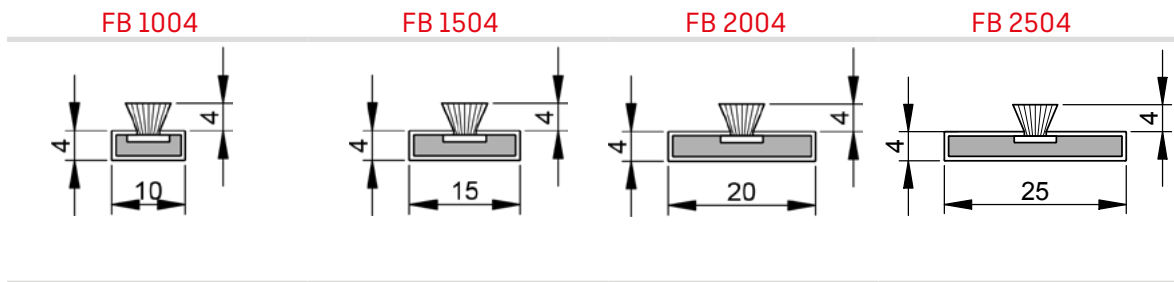
Application	fire rated timber doors & frames
Material	PVC encapsulated graphite, with a PP brush

PERFORMANCE & CERTIFICATES

Fire	EN 1634-1*, Certifire TS35 [CF 6057]
Smoke	Certifire TS21 [CF 6057]

DIMENSIONS

Standard lengths	2100, 2400, 3000 mm
------------------	---------------------



COLORS/ART.NO.	FB 1004	FB 1504	FB 2004	FB 2504
Red	F160067	F160070	F160073	F160243
Black	F160110	F160111	F160112	F160239
Dark brown	F160068	F160071	F160074	F160238
Brown	F160228	F160231	F160234	F160237
White	F160069	F160072	F160075	F160240
Grey	F160069	F160232	F160235	F160241
Cream	F160230	F160233	F160236	F160242

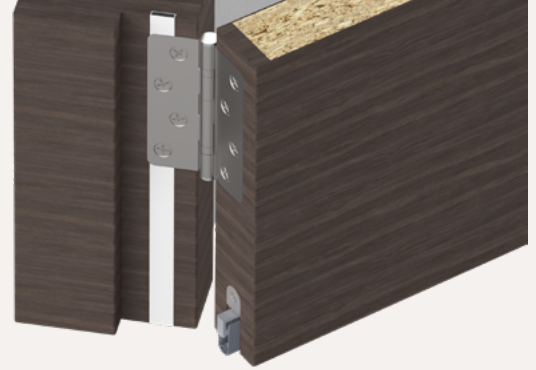
*The test value may differ according to the EN 1634-1 test, as the complete door system must be checked.

5 Intumescent seals & hardware protection
5.1 graphite intumescent seals

athmer.com

FP Series

- / plain, rigid box graphite fire seal
- / provides fire protection for doors
- / equipped with a durable self-adhesive backing tape
- / supplied in lengths



TECHNICAL DATA

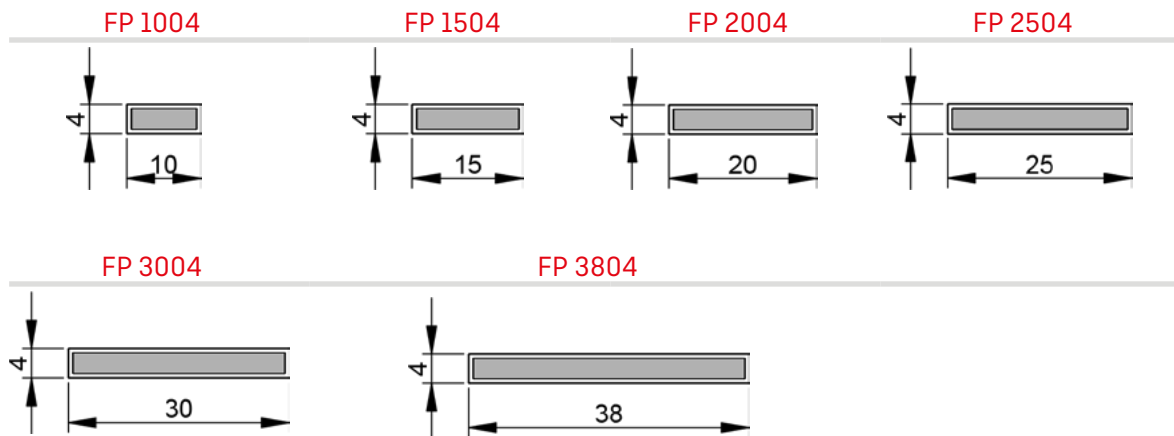
Application	fire rated timber doors & frames
Material	PVC encapsulated graphite

PERFORMANCE & CERTIFICATES

Fire	EN 1634-1*, Certifire TS35 (CF 6057)
Smoke	Certifire TS21 (CF 6057)

DIMENSIONS

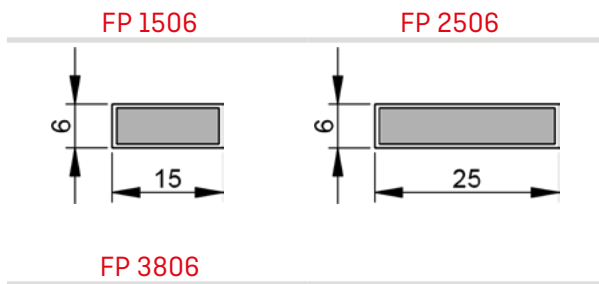
Standard lengths	2100, 2400, 3000 mm
------------------	---------------------



COLORS/ART.NO.	FP 1004	FP 1504	FP 2004	FP 2504	FP 3004	FP 3804
Red	F160052	F160055	F160058	F160150	F160061	F160064
Black	F160105	F160106	F160107	F160153	F160109	F160108
Dark brown	F160053	F160056	F160059	F160151	F160062	F160065
Brown	F160218	F160220	F160222	F160225	F160062	F160065
White	F160054	F160057	F160060	F160152	F160063	F160066
Grey	F160215	F160216	F160223	F160226		
Cream	F160219	F160122	F160224	F160227		

*The test value may differ according to the EN 1634-1 test, as the complete door system must be checked.

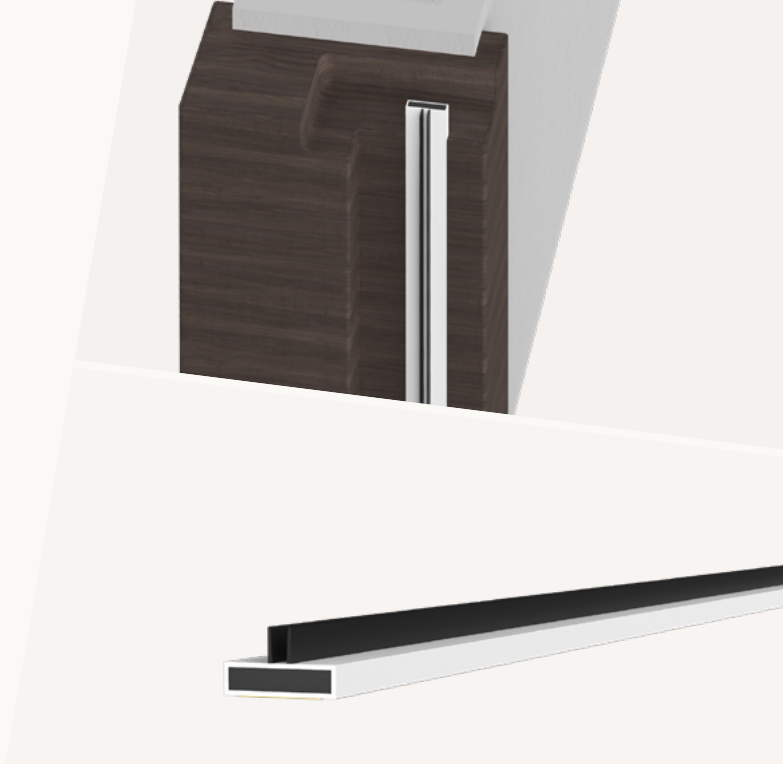




COLORS/ART.NO.	FP 1506	FP 2506
Black	F160201	F160199
Dark brown	F160125	F160127
Brown	F160289	F160297
White	F160200	F160198

FF-C Series

- / rigid box graphite fire & smoke seal with double central fin
- / provides fire, smoke and acoustic protection for doors
- / equipped with a durable self-adhesive backing tape
- / supplied in lengths



TECHNICAL DATA

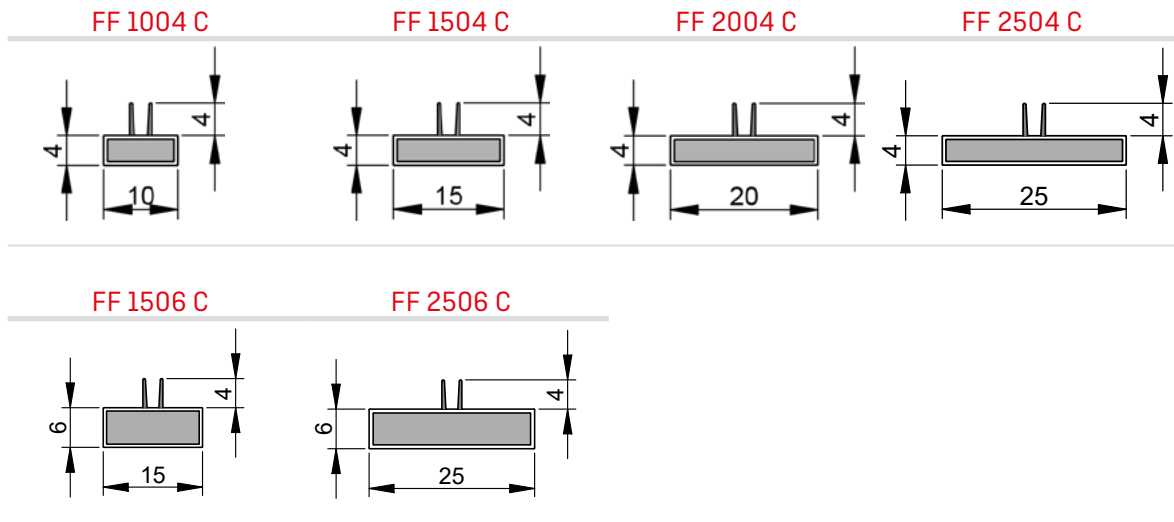
Application	fire rated timber doors & frames
Material	PVC encapsulated graphite, with soft PVC fins

PERFORMANCE & CERTIFICATES

Fire	EN 1634-1*, Certifire TS35 [CF 6057]
Smoke	Certifire TS21 [CF 6057]

DIMENSIONS

Standard lengths	2100, 2400, 3000 mm
------------------	---------------------



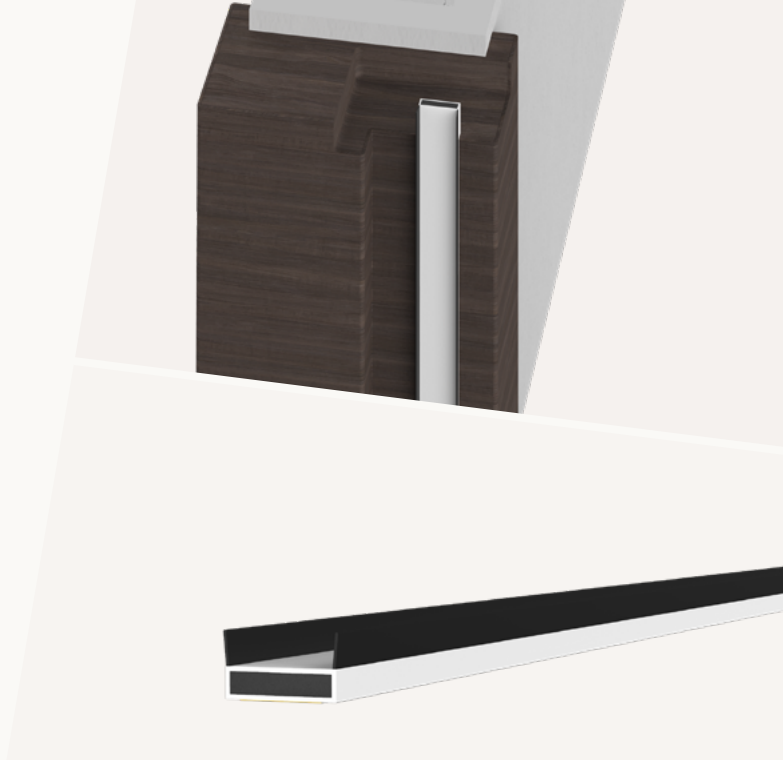
COLORS/ART.NO.	FF 1004 C	FF 1504 C	FF 2004 C	FF 2504 C	FF 1506 C	FF 2506 C
Red	F160183	F160141	F160145	F160288	-	-
Black	F160184	F160144	F160148	F160284	F160292	F160296
Dark brown	F160186	F160142	F160146	F160283	F160209	F160294
Brown	F160273	F160276	F160279	F160282	F160290	F160293
White	F160185	F160143	F160147	F160285	F160291	F160295
Grey	F160274	F160277	F160280	F160286	-	-
Cream	F160275	F160278	F160281	F160287	-	-

*The test value may differ according to the EN 1634-1 test, as the complete door system must be checked.



FF-D Series

- / rigid box graphite fire & smoke seal with double edge fin
- / provides fire, smoke and acoustic protection for doors
- / equipped with a durable self-adhesive backing tape
- / supplied in lengths



TECHNICAL DATA

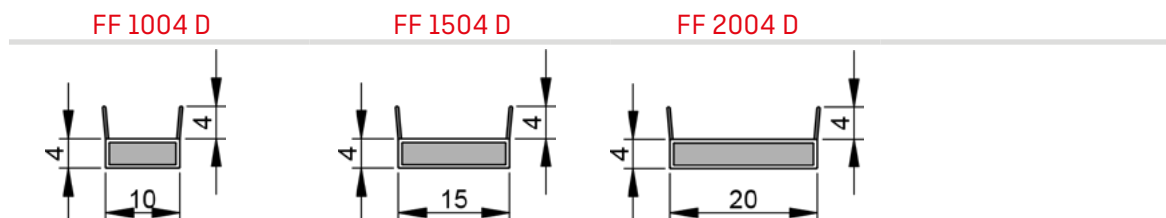
Application	fire rated timber doors & frames
Material	PVC encapsulated graphite, with soft PVC fins

PERFORMANCE & CERTIFICATES

Fire	EN 1634-1*
------	------------

DIMENSIONS

Standard lengths	2100, 2400, 3000 mm
------------------	---------------------



COLORS/ART.NO.	FF 1004 D	FF 1504 D	FF 2004 D
Red	F160076	F160079	F160082
Black	F160113	F160114	F160115
Brown	F160077	F160080	F160083
White	F160078	F160081	F160084

*The test value may differ according to the EN 1634-1 test, as the complete door system must be checked.

FPP Series

- / plain, rigid box Palusol® fire seal
- / provides fire protection for doors
- / equipped with a durable self-adhesive backing tape
- / supplied in lengths



TECHNICAL DATA

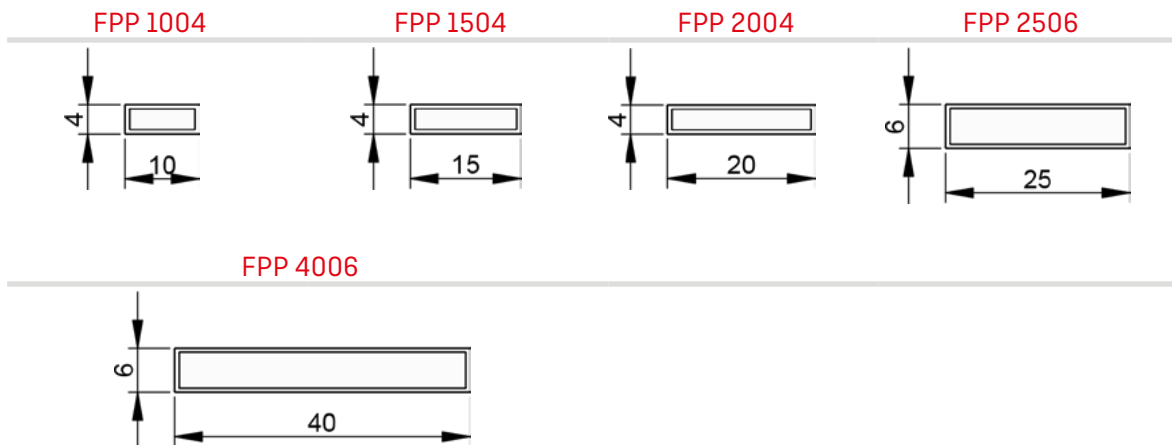
Application	fire rated timber doors & frames
Material	PVC encapsulated Palusol®

PERFORMANCE & CERTIFICATES

Fire	EN 1634-1*
------	------------

DIMENSIONS

Standard lengths	1050, 2150, 2400 mm
------------------	---------------------

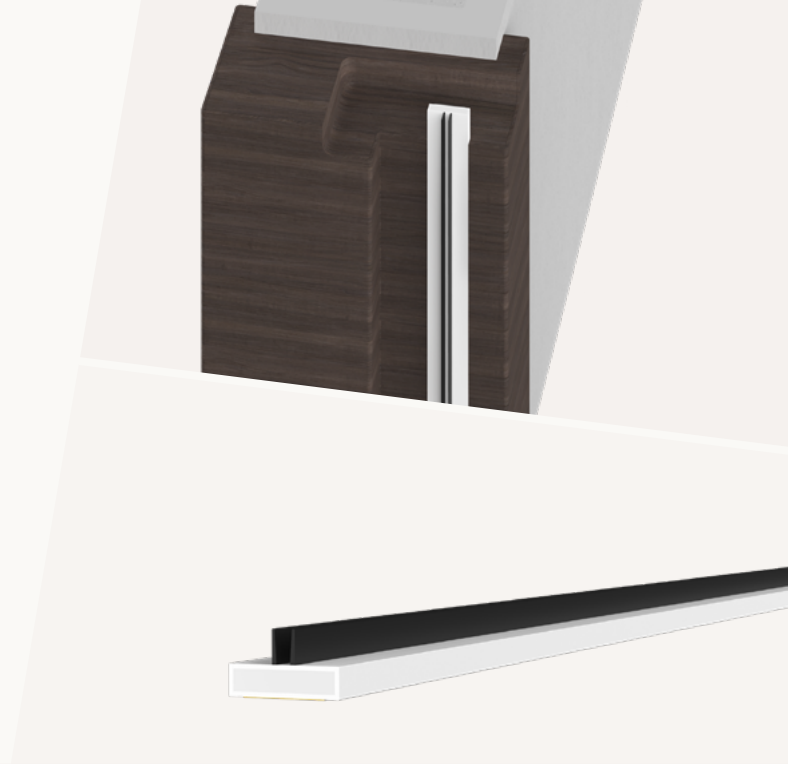


COLORS/ART.NO.	FPP 1004	FPP 1504	FPP 2004	FPP 2506	FPP 4006
Black	F160155	F160157	F160159	F160162	F160164
Dark brown	F160133	F160156	F160134	F160137	F160135
White	F160154	F160158	F160160	F160161	F160163

*The test value may differ according to the EN 1634-1 test, as the complete door system must be checked.

FFP-C Series

- / rigid box Palusol® fire & smoke seal with double central fin
- / provides fire, smoke and acoustic protection for doors
- / equipped with a durable self-adhesive backing tape
- / supplied in lengths



TECHNICAL DATA

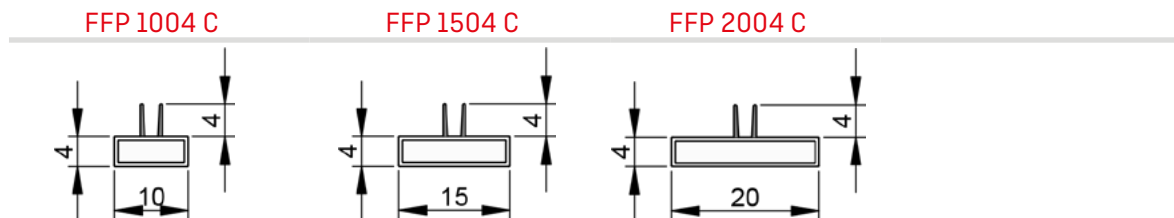
Application	fire rated timber doors & frames
Material	PVC encapsulated Palusol®, with soft PVC fins

PERFORMANCE & CERTIFICATES

Fire	EN 1634-1*
------	------------

DIMENSIONS

Standard lengths	1050, 2150, 2400 mm
------------------	---------------------

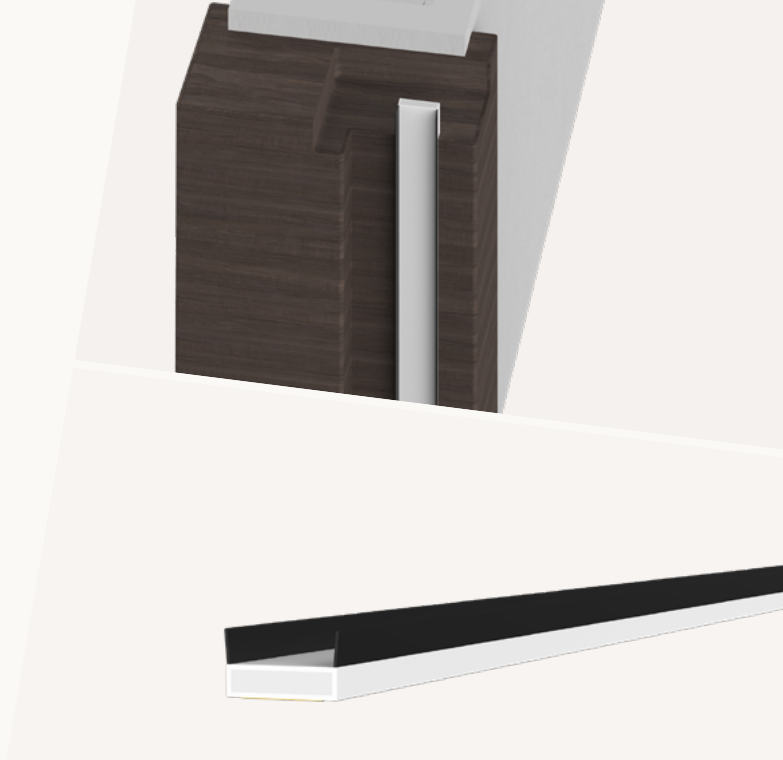


COLORS/ART.NO.	FFP 1004 C	FFP 1504 C	FFP 2004 C
Black	F160169	F160175	F160167
Dark brown	F160168	F160174	F160165
White	F160170	F160176	F160166

*The test value may differ according to the EN 1634-1 test, as the complete door system must be checked.

FFP-D Series

- / rigid box Palusol® fire & smoke seal with double edge fin
- / provides fire, smoke and acoustic protection for doors
- / equipped with a durable self-adhesive backing tape
- / supplied in lengths



TECHNICAL DATA

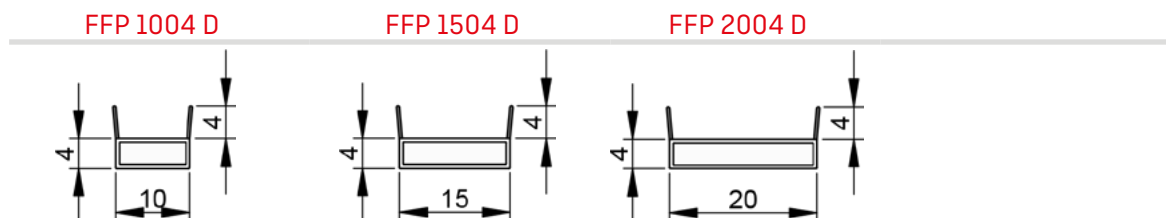
Application	fire rated timber doors & frames
Material	PVC encapsulated Palusol®, with soft PVC fins

PERFORMANCE & CERTIFICATES

Fire	EN 1634-1*
------	------------

DIMENSIONS

Standard lengths	1050, 2150, 2400 mm
------------------	---------------------



COLORS/ART.NO.	FFP 1004 D	FFP 1504 D	FFP 2004 D
Black	F160172	F160178	F160181
Dark brown	F160171	F160177	F160180
White	F160173	F160179	F160182

*The test value may differ according to the EN 1634-1 test, as the complete door system must be checked.



Interdens®

- / phosphate (MAP) -based intumescent sheet
- / provides fire protection for door ironmongery
- / equipped with a durable self-adhesive backing tape
- / supplied in strips, sheet form or can be cut to size
- / Interdens® is the registered trademark of BASF Wolman GmbH, Sinzheim



TECHNICAL DATA

Application	fire rated timber & metal doors
Material	Interdens®

PERFORMANCE & CERTIFICATES

Fire	EN 1634-1*
------	------------

DIMENSIONS

Standard lengths	1050 mm strips 2040 x 1000 mm sheet
------------------	--

COLORS/ART.NO.

1 mm sheet	P160076
2 mm sheet	P160077

*The test value may differ according to the EN 1634-1 test, as the complete door system must be checked.

Palusol®

- / sodium silicate-based intumescent sheet
- / provides fire protection for fire doors and glazing
- / equipped with a durable self-adhesive backing tape
- / supplied in strips and in sheet form
- / Palusol® is the registered trademark of BASF Wolman GmbH, Sinzheim



TECHNICAL DATA

Application	fire rated timber & metal doors
Material	Palusol®

PERFORMANCE & CERTIFICATES

Fire	EN 1634-1*
------	------------

DIMENSIONS

Standard lengths	1050 mm strips 2100 x 1100 mm sheet
------------------	--

COLORS/ART.NO.

2 mm sheet	F160140
------------	---------

*The test value may differ according to the EN 1634-1 test, as the complete door system must be checked.